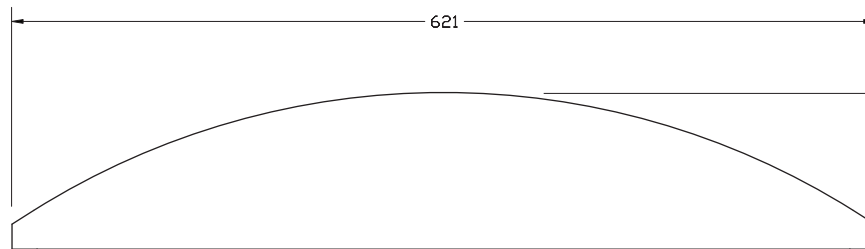
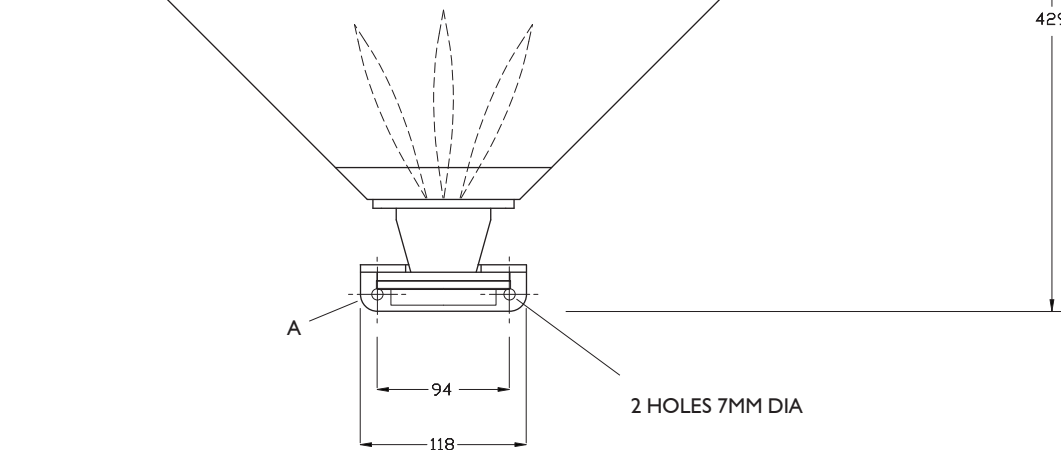


FERRULE  
2.62" DIA x 16 T.P.I. WHIT. FORM



6 M6 X 15MM DEEP TAPPED DRILLINGS IN REAR FACE  
265MM B/C VERTICAL SYMMETRICALLY OPPOSED ABOUT CENTRE LINE  
250MM B/C HORIZONTAL SYMMETRICALLY OPPOSED ABOUT CENTRE LINE

HORN SHOWN WITH OPTIONAL SUPPORT BRACKET (A)



Dispersive Horn	
Limit Dimensions & Mounting Centres	
Model Type: R300W	Drg. No.: WPDF-R300
	Date: 9th Oct 2009
© Octave Audio 2009	